

Keep 'Em in the Dark!

- Install useful light only
 - Aim the light down
- Remember that brighter isn't always better
- Choose LEDs wisely – color does matter
- Use motion sensing lights or timers to help reduce illumination levels and save energy
- Turn off unnecessary indoor lighting at night, particularly empty office buildings
- Outdoor light fixtures that shield the light source can minimize glare and help prevent light pollution

You Can Help!


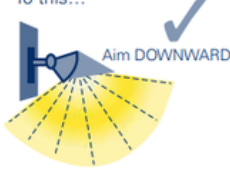


For more information see
our website at:

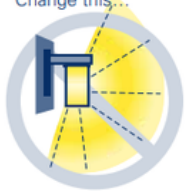

www.oclw.org




Modifying Existing Fixtures

FLOODLIGHT

Change this...  To this... 

WALLPACK

Change this...  To this... 

Change this...  To this...  Or this... 

FLOODLIGHT **OPAQUE REFLECTOR** **SHOEBOX**

Artwork courtesy of the New England Light Pollution Advisory Group